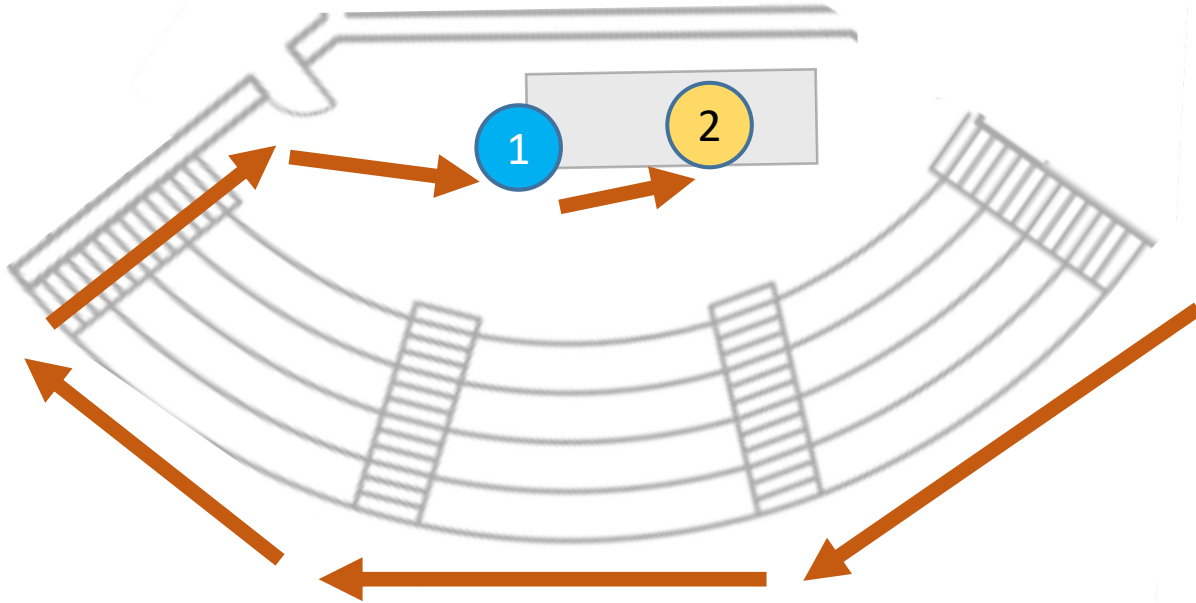


# 141 Loomis – Check in



→ Follow the Arrows to the Front

1 Check in (w/ your Illinois ID)

2 Get your test + scantron card

Then, find a seat (only use every other seat)

## At your seat

- Don't start the exam yet!
- Follow the first 2 pages of instructions on the exam packet
- Put away everything except:
  - Pencil/pen
  - calculator
  
- Wait for proctors to tell you to start.

# 141 Loomis – Start the exam

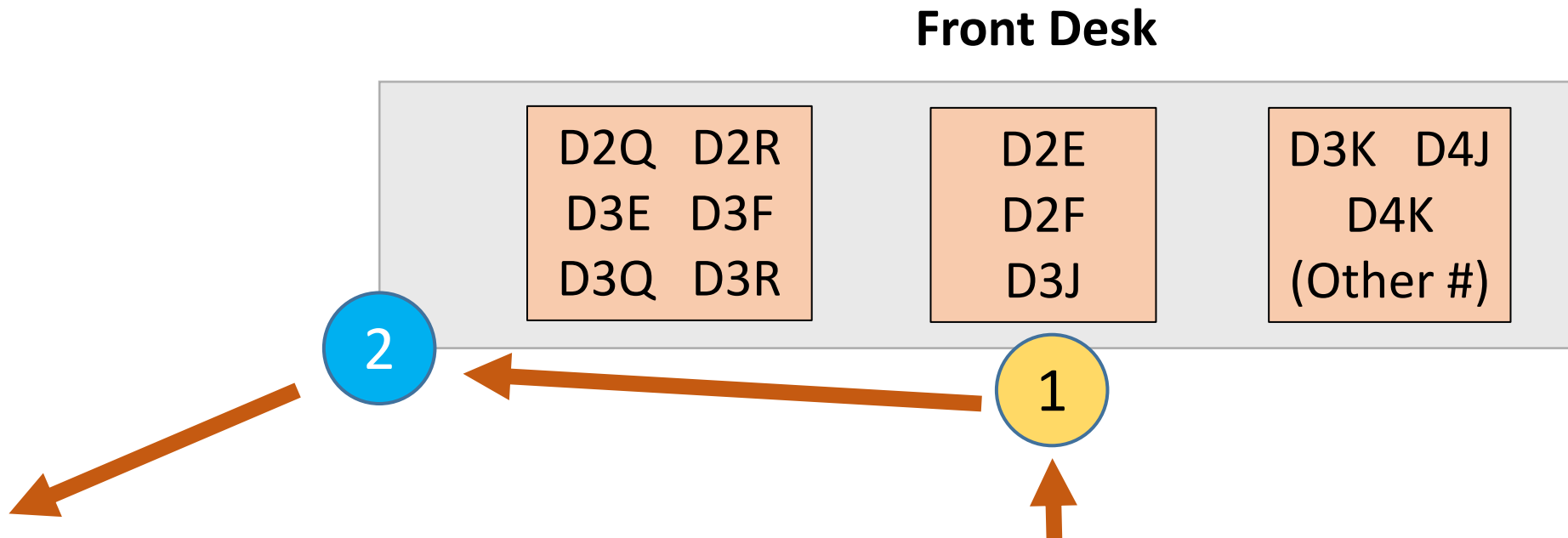
- 3 hours.
- We should not be able to see/hear your phone.
- Write out your work on the exam packet.
  - Please circle your MC answers in the exam packet also as a backup.
- Tips:
  - Don't panic!
  - Read the entire question carefully.

# 141 Loomis – Check out

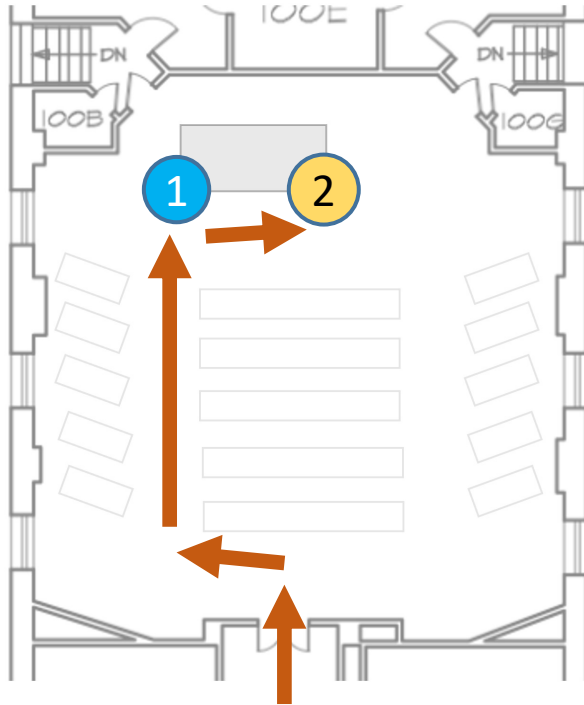
Check that you filled out the scantron + top of the exam packet.

1 Front desk: Find your discussion section #, hand in scantron + exam packet.

2 Check out (w/ your Illinois ID)



# 100 Gregory Hall – Check in



→ Follow the Arrows to the Front

1 Check in (w/ your Illinois ID)

2 Get your test + scantron card

Then, find a seat (only use every other seat)

## At your seat

- Don't start the exam yet!
- Follow the first 2 pages of instructions on the exam packet
- Put away everything except:
  - Pencil/pen
  - calculator
  
- Wait for proctors to tell you to start.

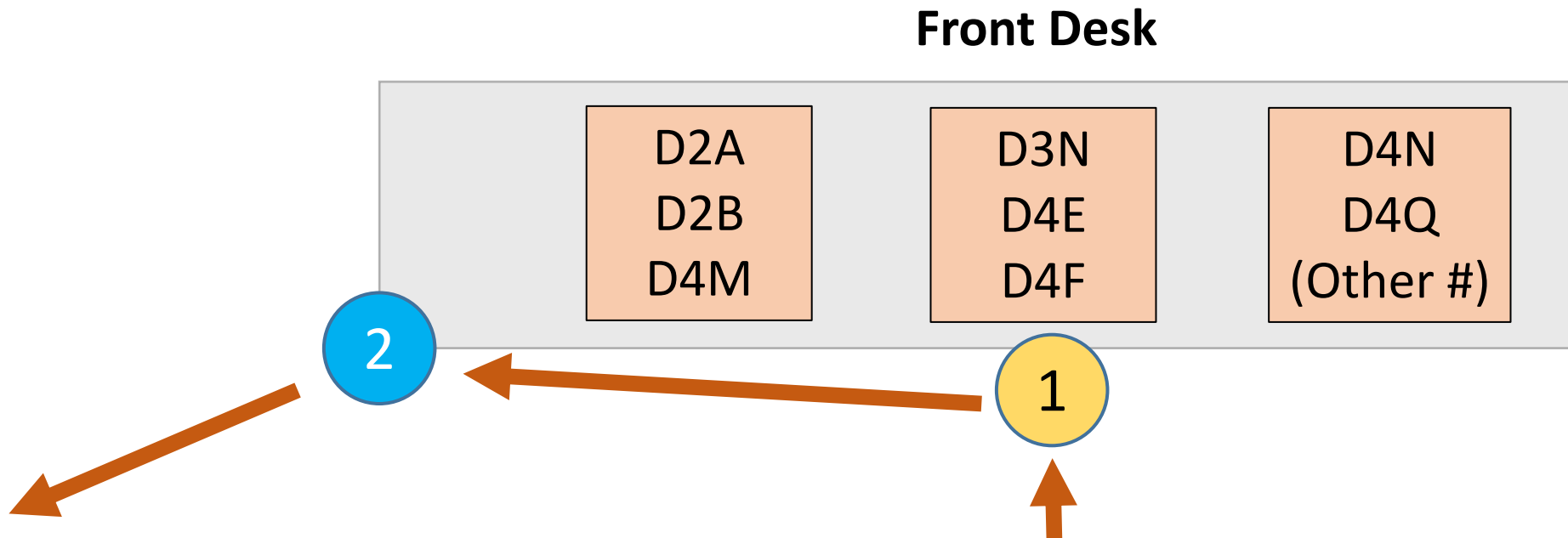
# 100 Gregory Hall – Start the exam

- 3 hours.
- We should not be able to see/hear your phone.
- Write out your work on the exam packet.
  - Please circle your MC answers in the exam packet also as a backup.
- Tips:
  - Don't panic!
  - Read the entire question carefully.

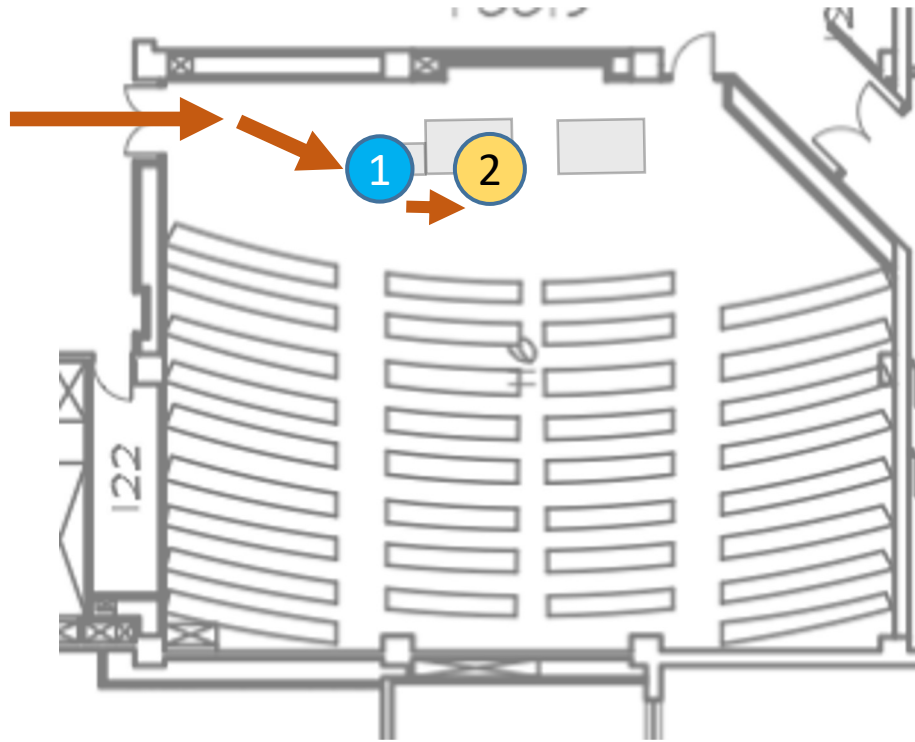
# 100 Gregory Hall – Check out

Check that you filled out the scantron + top of the exam packet.

- 1 Front desk: Find your discussion section #, hand in scantron + exam packet.
- 2 Check out (w/ your Illinois ID)



# 116 Roger Adams – Check in



→ Follow the Arrows to the Front

1 Check in (w/ your Illinois ID)

2 Get your test + scantron card

Then, find a seat (only use every other seat)

## At your seat

- Don't start the exam yet!
- Follow the first 2 pages of instructions on the exam packet
- Put away everything except:
  - Pencil/pen
  - calculator
  
- Wait for proctors to tell you to start.

# 116 Roger Adams – Start the exam

- 3 hours.
- We should not be able to see/hear your phone.
- Write out your work on the exam packet.
  - Please circle your MC answers in the exam packet also as a backup.
- Tips:
  - Don't panic!
  - Read the entire question carefully.



# 116 Roger Adams – Check out

Check that you filled out the scantron + top of the exam packet.

1 Front desk: Find your discussion section #, hand in scantron + exam packet.

2 Check out (w/ your Illinois ID)

## Front Desks

